



**Gianni
Ferrari**

Turbo loader



**cm. 150
inch 59**



CIMATRICE MONOLATERALE - 150 cm.

TAILLE HAIES UN CÔTÉ - 150 cm.

EINSEITIGE HECKENSCHERE - 150 cm.

1-SIDE HEDGE CUTTER - 59"

**CATALOGO PARTI DI RICAMBIO
CATALOGUE PIECES DETACHEES
ERSATZTEILKATALOG
PARTS MANUAL**

26.11.2014



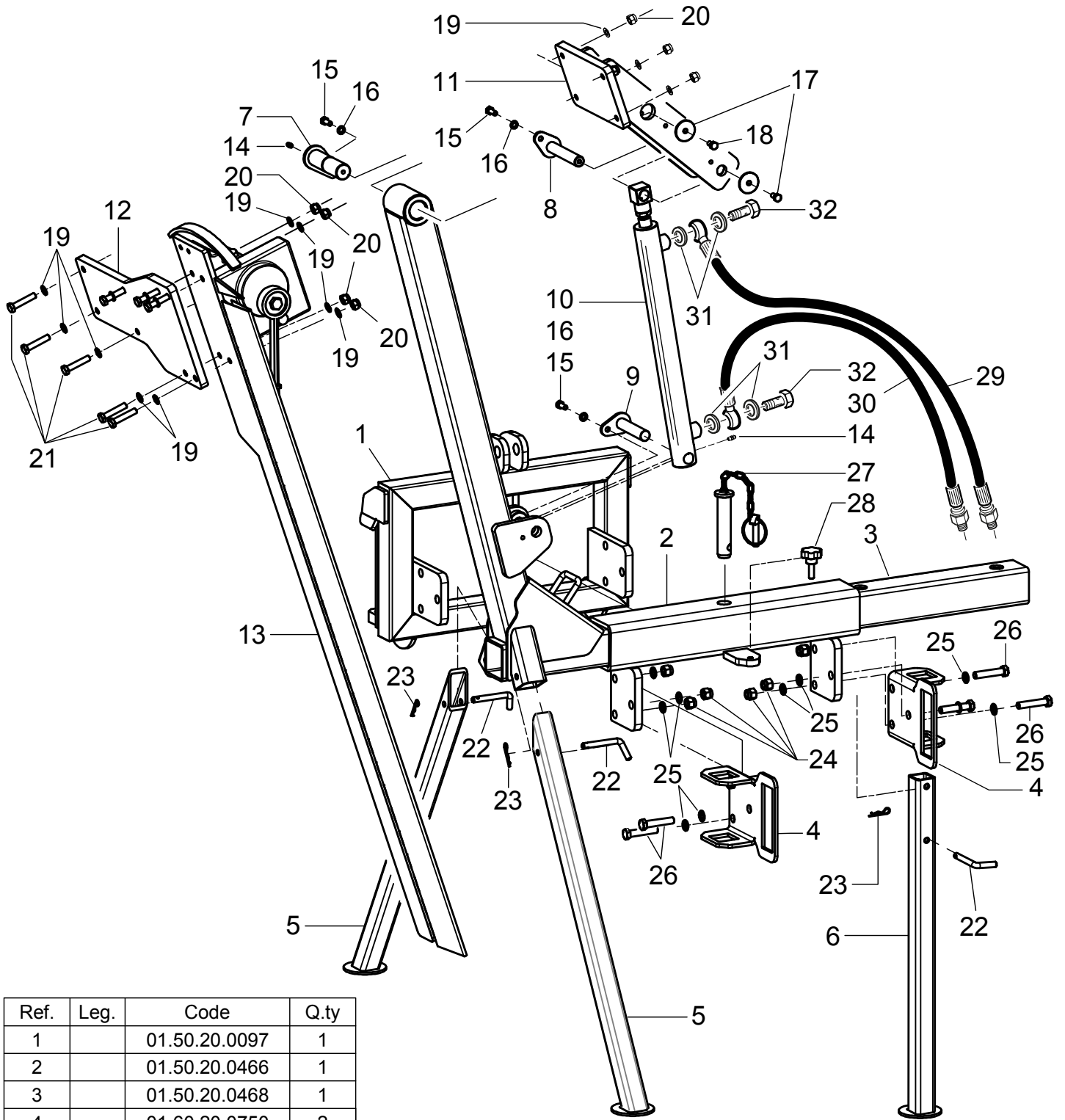
**Gianni
Ferrari**

HDG1S - Tav. 01

26-11-2014



**cm. 150
inch 59**



Ref.	Leg.	Code	Q.ty
1		01.50.20.0097	1
2		01.50.20.0466	1
3		01.50.20.0468	1
4		01.60.20.0750	2
5		01.50.20.0465	2
6		01.50.20.0464	1
7		01.50.20.0473	1
8		01.50.20.0474	1
9		01.50.20.0477	1
10		00.58.00.0015	1
11		01.50.20.0458	1
12		01.60.20.0754	1
13		01.90.20.0121	1
14		00.42.00.0010	2

Ref.	Leg.	Code	Q.ty	Ref.	Leg.	Code	Q.ty
15		00.92.05.1070	3	24		00.26.04.0080	6
16		00.68.01.0030	3	25		00.68.01.0050	12
17		00.68.08.0202	2	26		00.92.07.0130	6
18		00.92.05.1040	2	27		01.40.00.4410	1
19		00.68.01.0040	16	28		00.45.00.0039	1
20		00.26.04.0070	8	29		00.41.20.0132	1
21		00.92.06.1120	8	30		00.41.20.0133	1
22		01.50.00.2441	3	31		00.41.00.0060	4
23		00.18.00.1010	3	32		00.41.00.0120	2

89.00.20..0109.idw



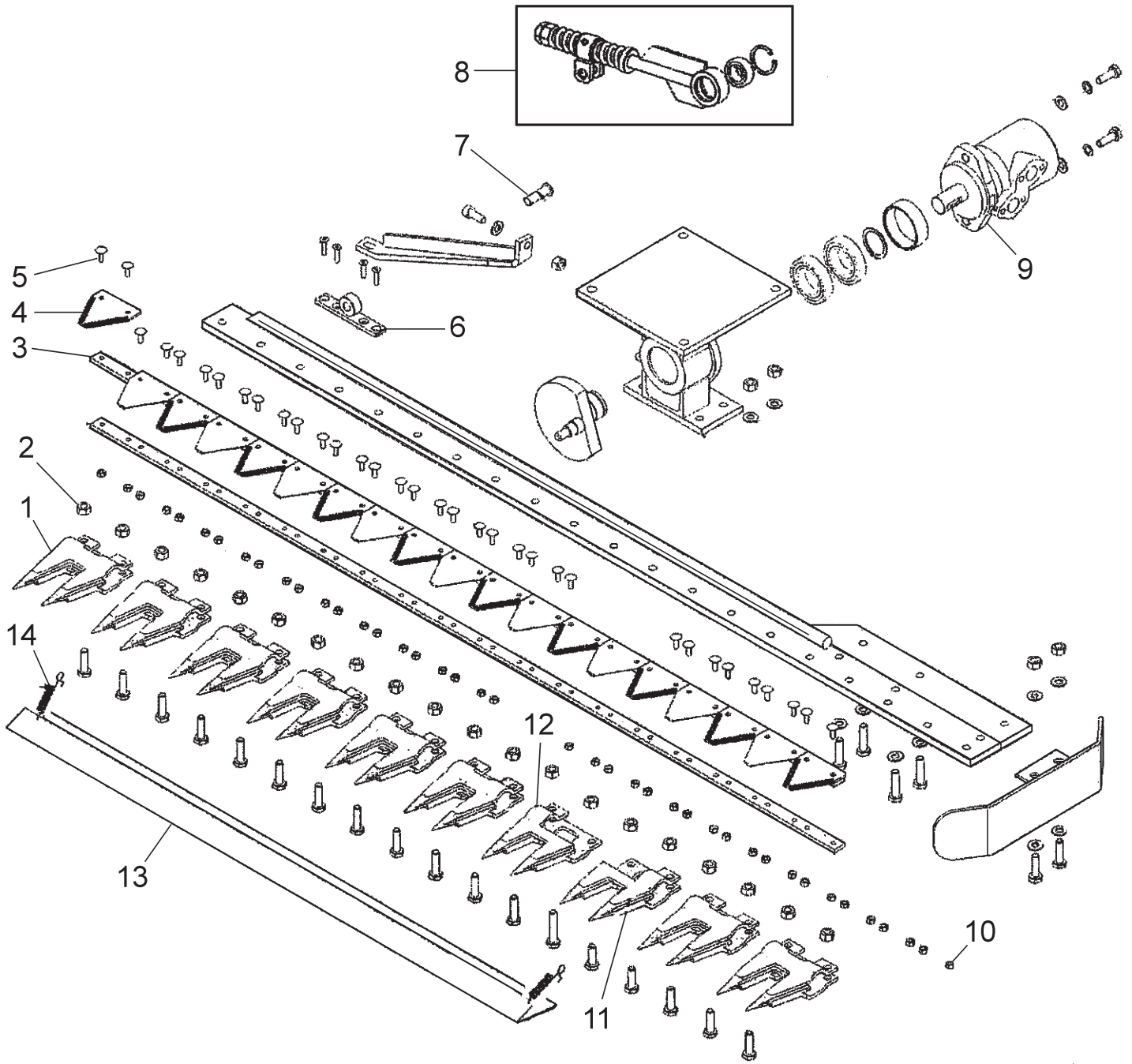
**Gianni
Ferrari**



**cm. 150
inch 59**

HDG1S - Tav. 02

26-11-2014



Ref.	Leg.	Code	Q.ty	Ref.	Leg.	Code	Q.ty	Ref.	Leg.	Code	Q.ty
1		01.33.20.0005	8	6		01.50.20.0114	1	10		00.26.12.0001	3
2		00.26.04.0070	27	7		01.40.20.0099	1	11		01.33.20.0007	8
3		01.90.20.0128	1	8		01.90.20.0134	1	12		01.33.20.0006	1
4		01.33.20.0001	19	9	c.c. 50	00.54.00.1134	1	13		01.60.20.1183	1
5		00.92.10.0001	34	9	c.c.100	00.54.00.1135	1	14		00.47.00.0062	2



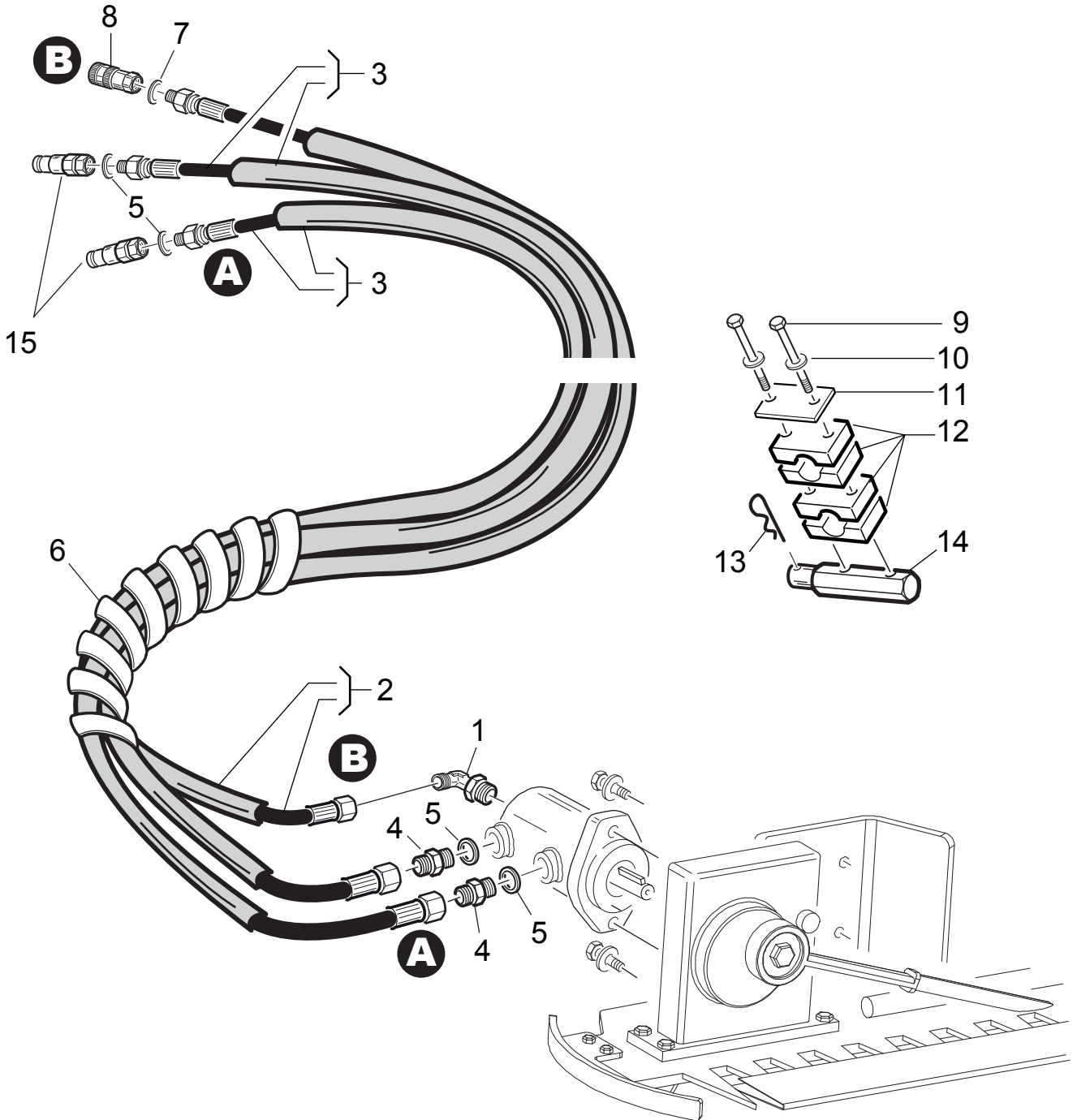
**Gianni
Ferrari**



**cm. 150
inch 59**

HDG1S - Tav. 03

26-11-2014



Ref.	Leg.	Code	Q.ty	Ref.	Leg.	Code	Q.ty	Ref.	Leg.	Code	Q.ty
1		00.41.00.0874	1	6		00.07.01.0186	ml 1.4	11		00.41.00.0449	1
2		00.41.20.0131	1	7		00.41.00.0070	1	12		00.41.00.0445	4
3		00.41.20.0129	2	8		00.41.00.3762	1	13		00.18.00.1050	1
4		00.41.00.0113	2	9		00.92.03.0210	2	14		01.40.20.0093	2
5		00.41.00.0071	4	10		00.68.01.0020	2	15		01.41.00.3761	2



Advanced Groundcare Solutions™

